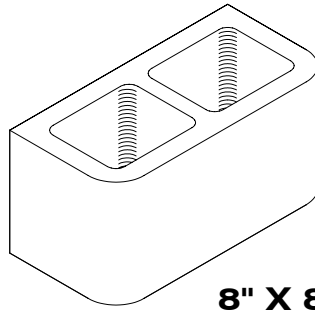
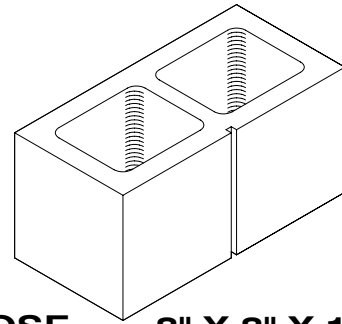


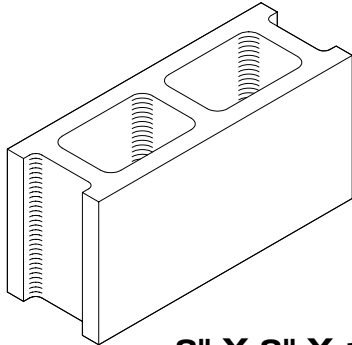
**8" X 8" X 16"
DOUBLE BULLNOSE**



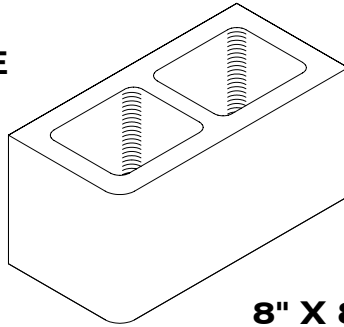
**8" X 8" X 16"
DOUBLE BULLNOSE**



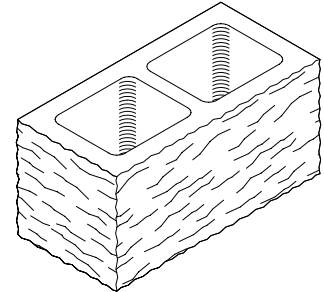
**8" X 8" X 16"
SINGLE SCORED**



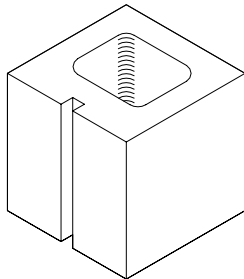
**8" X 8" X 16"
HOLLOW STRETCHER**



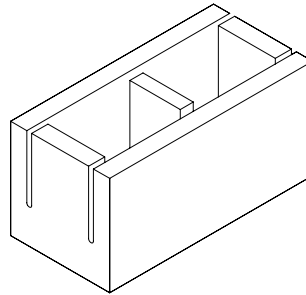
**8" X 8" X 16"
SINGLE BULLNOSE**



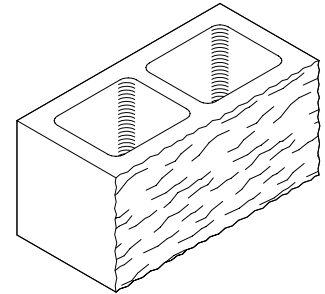
**8" X 8" X 16"
SPLIT FACE CORNER**



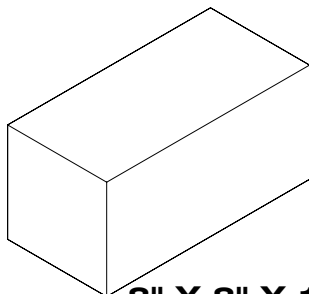
**8" X 8" X 8"
HALF BLOCK**



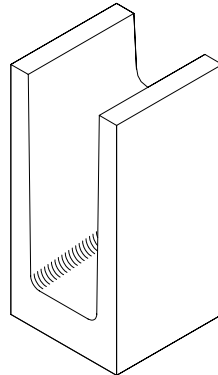
**8" X 8" X 16"
KNOCK OUT BOND BEAM**



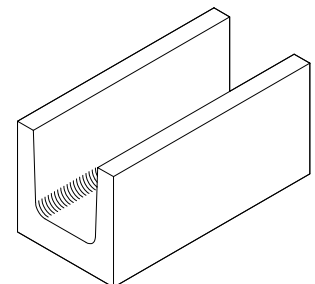
**8" X 8" X 16"
SPLIT FACE**



**8" X 8" X 16"
100% SOLID**



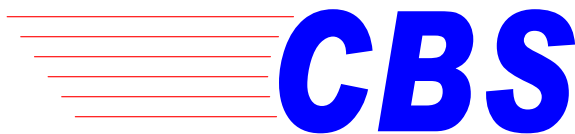
**00 REG 081608
TALL BOND BEAM**



**8" X 8" X 16"
BOND BEAM**

8-INCH CMUs

ALL BLOCKS AVAILABLE IN REGULAR, LIGHTWEIGHT,
WATERPROOF, AND ARCHITECTURAL



Concrete Building Supply

PHONE: **Quality Block, Masonry and Precast Products Since 1938**
563-0700 www.concretebuildingsupply.com

FAX:
563-1392

SCALE-	NTS
DRAWN BY-	R. E. S.