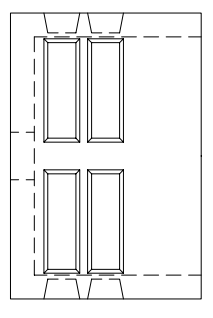
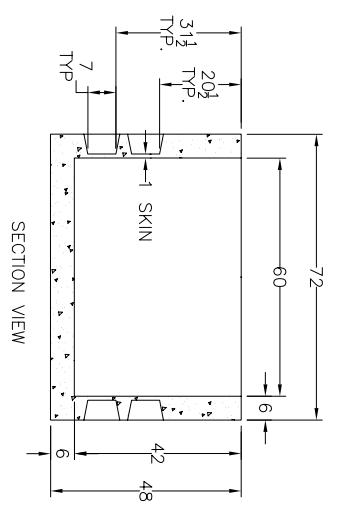
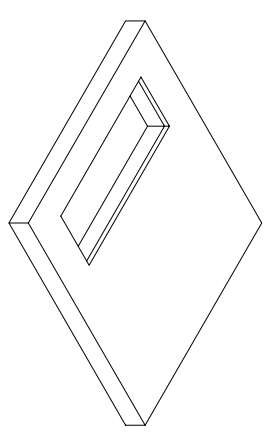
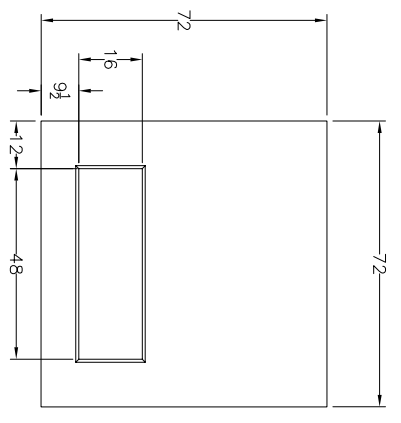
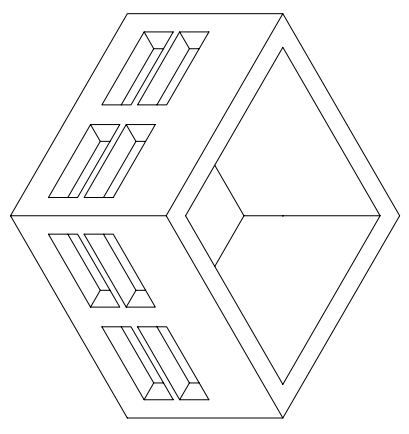
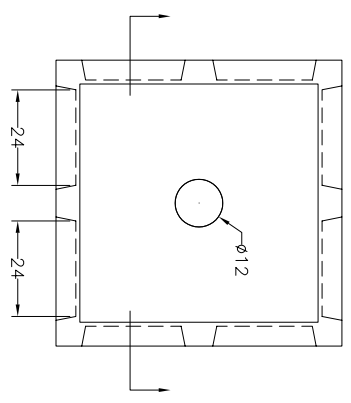


ZONE	REV	DESCRIPTION	DATE	APPROVED



### EVC 721 OPTIONAL COVER

5000 PSI CONCRETE @ 28 DAYS 6% AIR ENTRAINMENT  
 REINFORCEMENT: #4 GRADR 60 REBAR @ 12" CENTERS BOTH WAYS  
 ESTIMATED WEIGHT: 7,000 Lbs.

5000 PSI CONCRETE @ 28 DAYS 6% AIR ENTRAINMENT  
 REINFORCEMENT: #4 GRADR 60 REBAR @ 6" CENTERS BOTH WAYS  
 ESTIMATED WEIGHT: 2,400 Lbs.

**CBS**  
 Concrete Building Supply  
 PHONE: Quality Block, Masonry and Precast Products Since 1938  
 10000 W. 12th Ave. Denver, CO 80231  
 303.751.2200  
**ELECTRICAL VAULTS 5' X 5' X 3.5'**  
 MODEL EVC71  
 DAVE DWG. NO. CBS-435  
 SCALE 1:16 DATE 10/24/07 SHEET 1 OF 1

