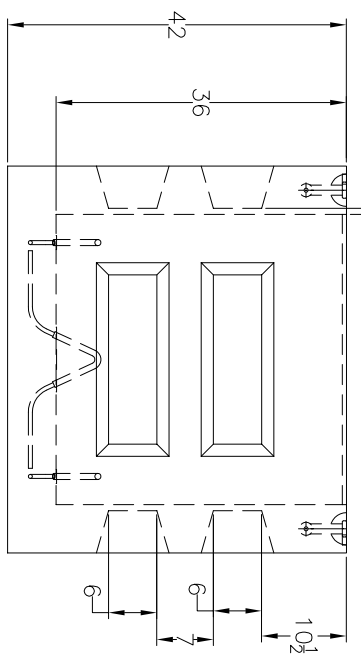
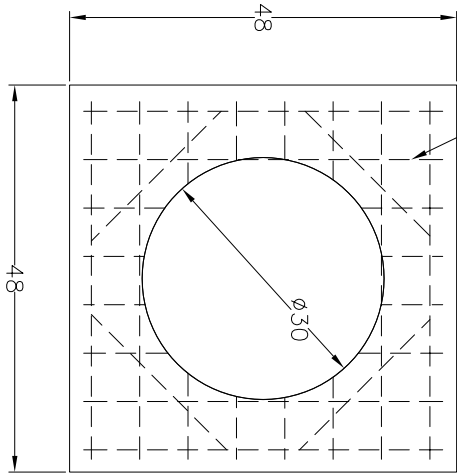
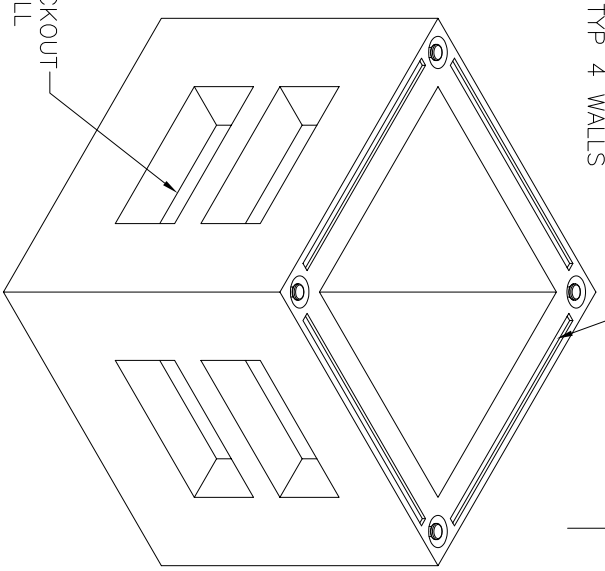
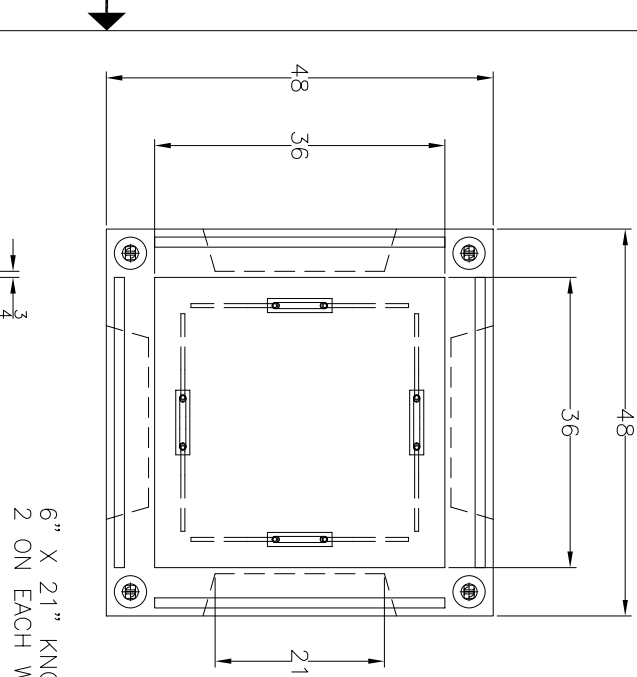


REVISIONS				
ZONE	REV	DESCRIPTION	DATE	APPROVED



MODEL EV333 HS-20 TRAFFIC RATED
 WHEN NOT EXPOSED TO HIGH DENSITY TRAFFIC
 5000 PSI CONCRETE @ 28 DAYS, 5-6% AIR (.93 Yds.)
 REINFORCEMENT: #3 REBAR @ 6" CENTERS BOTH TOP SLAB,
 4 X 4 X 4G MESH IN WALLS AND FLOOR
 DAYTON SWIFT LIFTS PINS AT 4 CORNERS
 FOUR PENNSYLVANIA INSET PI-1 PULLING IRONS ON FLOOR CENTERED ON WALLS
 WEIGHTS: BASE 3,952 Lbs., TOP COVER 827 Lbs., TOTAL 4,779 Lbs.



PULLING IRON

CBS
 Concrete Building Supply
 Quality Block, Masonry and Precast Products Since 1938
 563-0700 www.concretebuildingsupply.com FAX: 563-1392

MODEL EV333 ELECTRICAL PULL BOX HS-20

SIZE	DRAWN BY:	DWG. NO.	REV
B	DAVE B.	CBS-205	

SCALE 1:16 DATE: 9/16/05 SHEET 1 OF 1