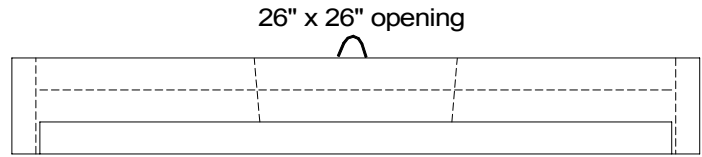
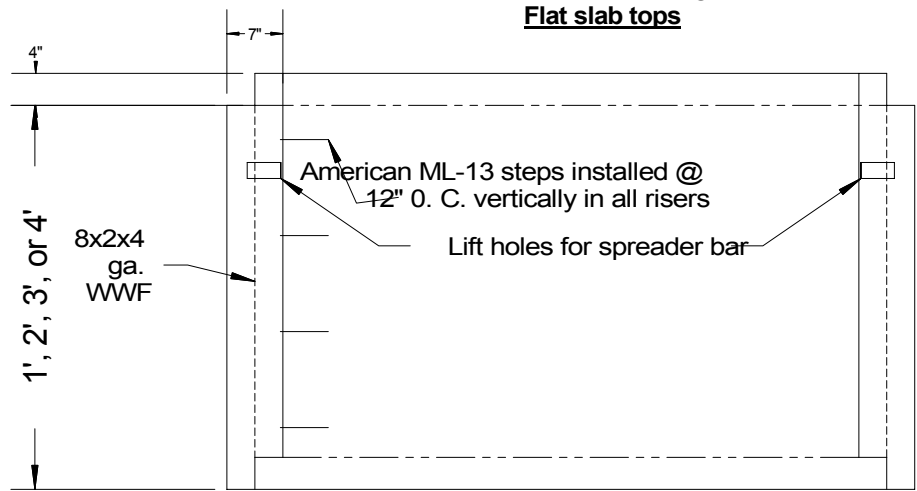


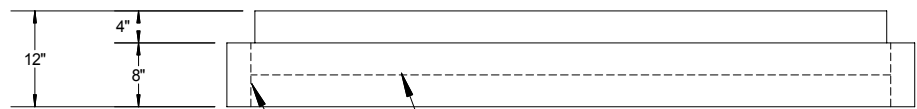
Isometric view - not to scale



24" or 30" opening
Flat slab tops



Riser



Base slab

6' I. D. manhole

Specifications:

Concrete: 5000 psi min., 5-6% air

Reinforcement:

Walls: 8x24 gauge WWF to equal .12 sq. in. / V. F. min.

Floor and top slabs: #4 rebar @ 6" O. C. both ways

Conforms to ASTM C-478 and A. A. S. H. T. O.

HS-20 standards

Sealant: 1" ConSeal CS-101 mastic rope sealant on all joints

Weights (lbs.):

Base slab - 6555 Risers: 4' - 7239 3' - 5429 2' - 3619 1' - 1810 Flat slab tops - approximately 3171

Volumes (gal): 4' riser - 846 3' riser - 635 2' riser - 423 1' riser - 212

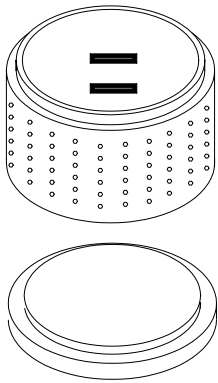
www.concretebuildingsupply.com

Concrete Building Supply Co.

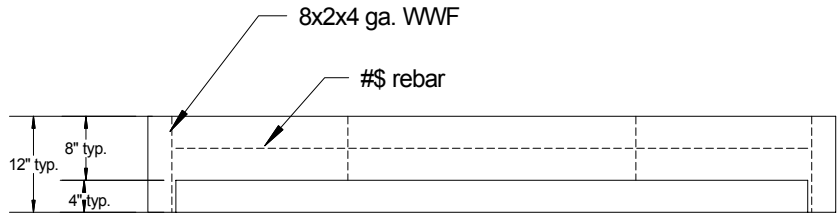
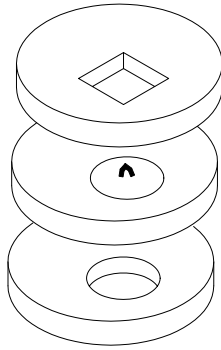
Northeast Concrete Products, Inc.

(P) (518) 563-0700 (F) (518) 563-1392 1024 Military Turnpike,
Plattsburgh, New York 12901

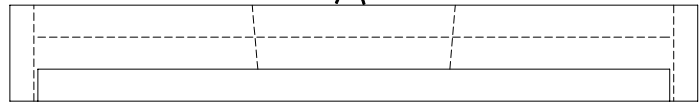
SCALE- 1/2" = 1' DRAWN BY- R. E. S.



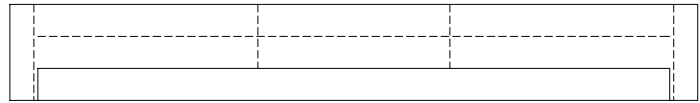
Isometric view - not to scale



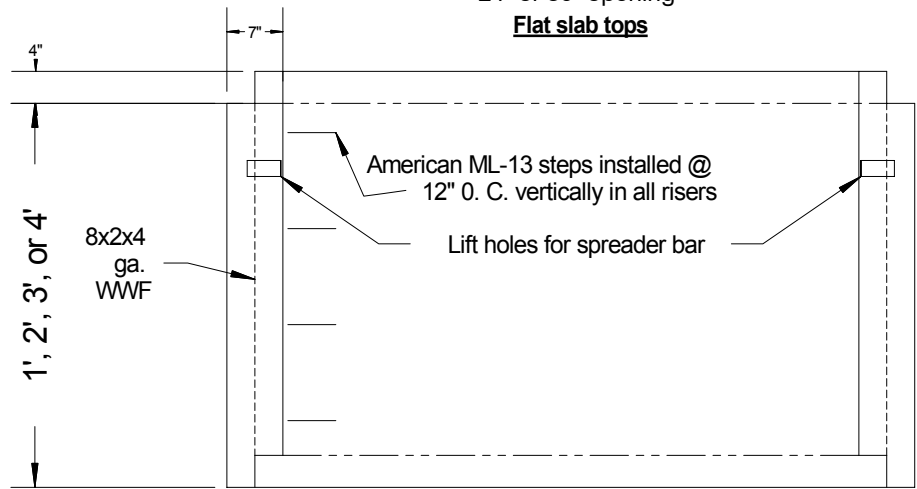
26" x 26" opening



24" plug



24" or 30" opening
Flat slab tops



Riser



Base slab

6' I. D. perforated manhole

Specifications:

Concrete: 5000 psi min., 5-6% air

Reinforcement:

Walls: 8x2x4 gauge WWF to equal .12 sq. in. / V. F. min.

Floor and top slabs: #4 rebar @ 6" O. C. both ways

Conforms to ASTM C-478 standards

Sealant: 1" ConSeal CS-101 mastic rope sealant on all joints

Perforations are 2 1/4" in diameter

Weights (lbs.):

Base slab - 6555 Risers: 4" - 7239 3' - 5429 3' - 3619 1810 Flat slab tops - approximately 3171

www.concretebuildingsupply.com

Concrete Building Supply Co.

Northeast Concrete Products, Inc.

(P) (518) 563-0700 (F) (518) 563-1392 1024 Military Turnpike,
Plattsburgh, New York 12901

SCALE- 1/2" = 1'

DRAWN BY- R. E. S.