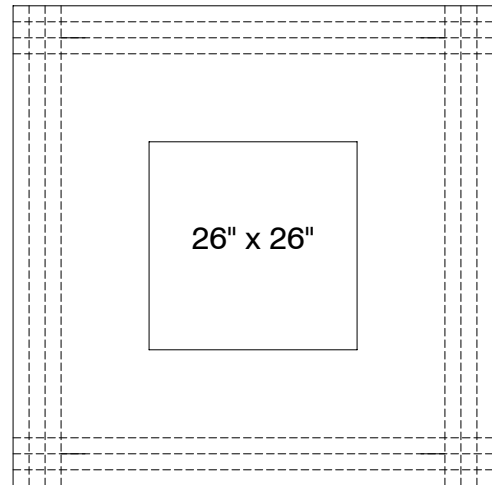
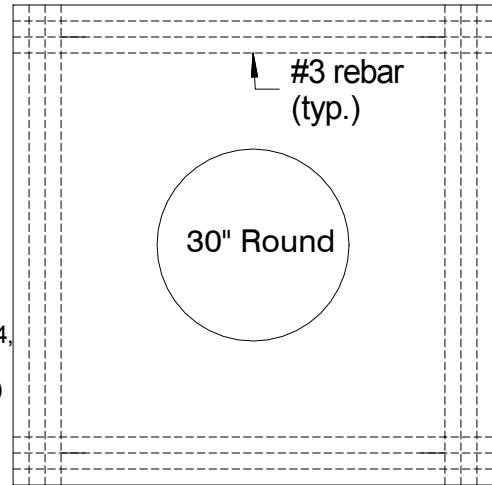
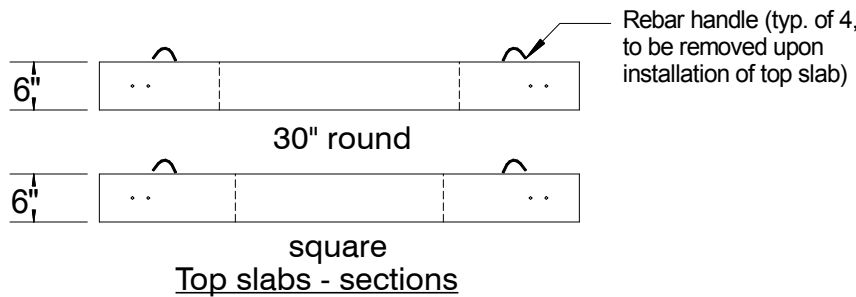
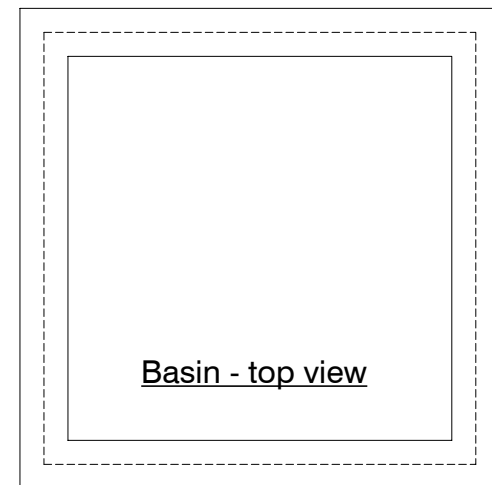
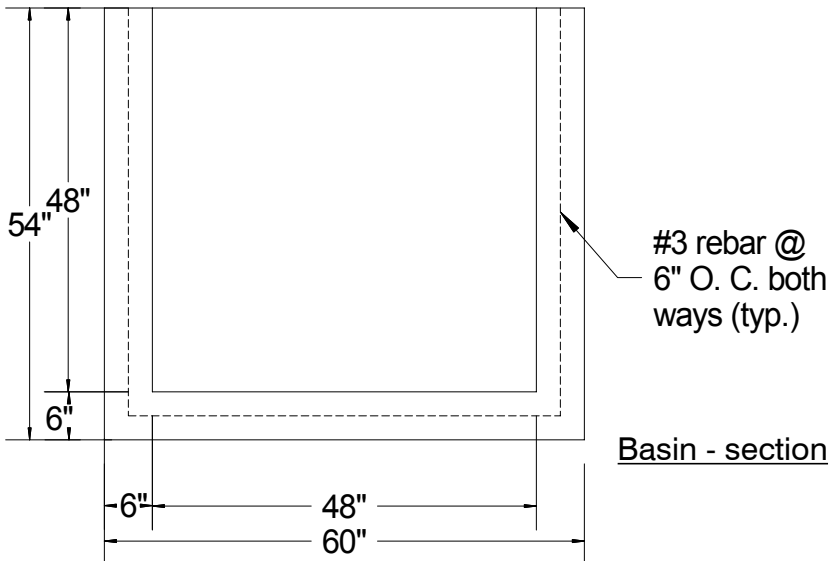


Isometric views - not to scale



Top slabs - top views



48" x 48" x 48" I. D. catch basin

Model no. CB44

Concrete: 5000 PSI Min, 5-6% Air

Design Load: HS-20

Reinforced with #3 rebar @ 6" O. C. both ways in basin and as shown in top slab

6" thick walls, floor, and top slab

Top slab available with either a 30" diameter round or a 26" x 26" opening

Opening size, shape, and location as requested.

Steps and boots are available upon request

Weights: See sheet titled "Catch basin weights and volumes"

www.concretebuildingsupply.com

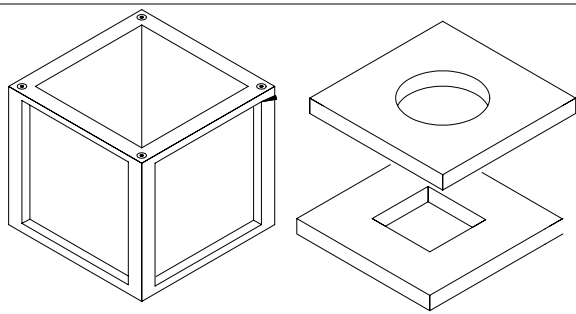
Concrete Building Supply Co.

Northeast Concrete Products, Inc.

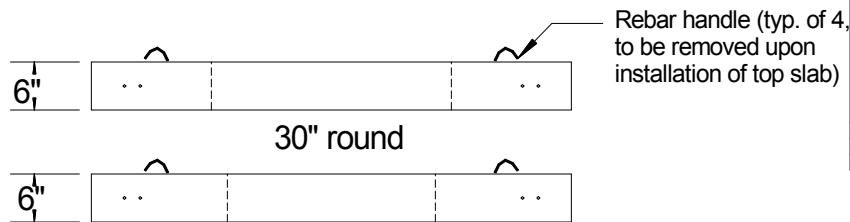
(P) (518) 563-0700 (F) (518) 563-1392 1024 Military Turnpike, Plattsburgh, New York 12901

SCALE- 1/2" = 1'

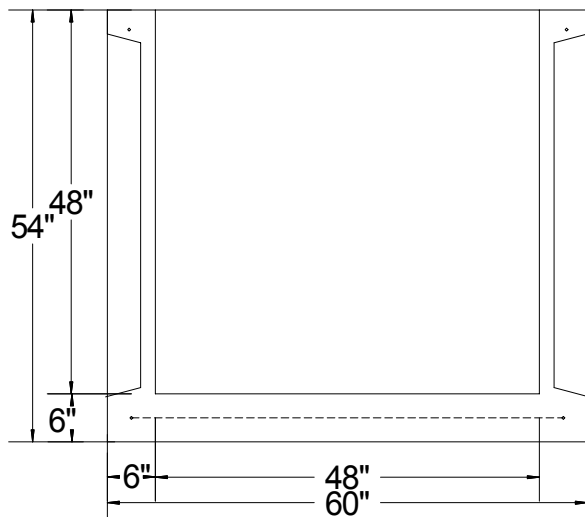
DRAWN BY- R. E. S.



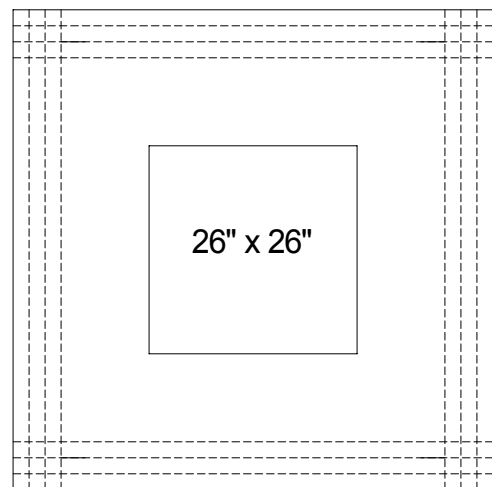
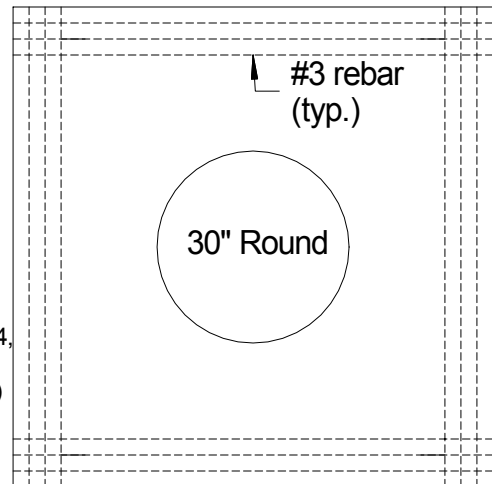
Isometric views - not to scale



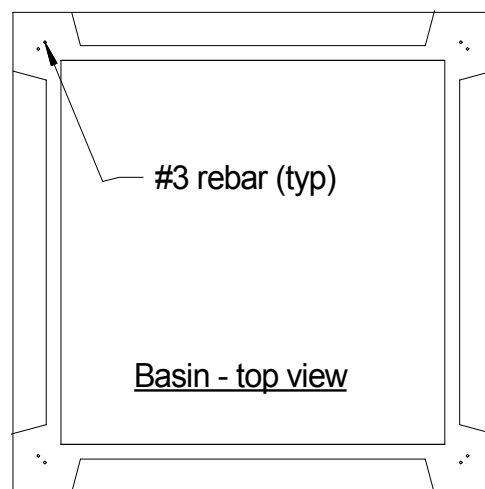
square
Top slabs - sections



Basin - section



Top slabs - top views



Basin - top view

48" x 48" x 48" I. D. catch basin with knockouts

Model no. CB44

Concrete: 5000 PSI Min, 5-6% Air

Design Load: HS-20

Reinforced with #3 rebar

(see rebar design sheet for layout)

6" thick walls with one 48" x 48" x 4 1/2" knockout per side

6" thick floor, and top slab

Top slab available with either a 30" diameter round or a 26" x 26" opening

Opening size, shape, and location as requested.

Steps and boots are available upon request

Weights: See sheet titled "Catch basin weights and volumes"

www.concretebuildingsupply.com

Concrete Building Supply Co.

Northeast Concrete Products, Inc.

(P) (518) 563-0700 (F) (518) 563-1392 1024 Military Turnpike,
Plattsburgh, New York 12901

SCALE- 1/2" = 1'

DRAWN BY- R. E. S.