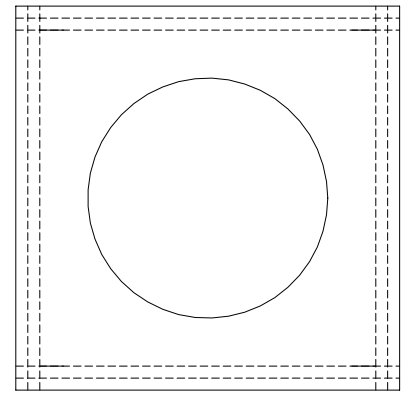
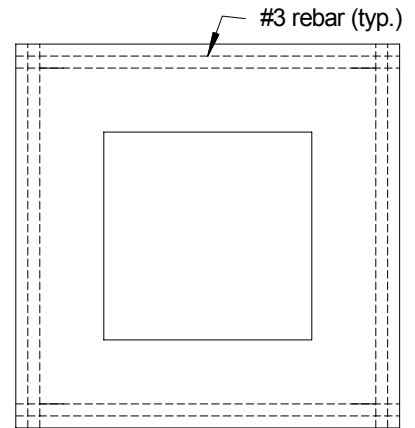


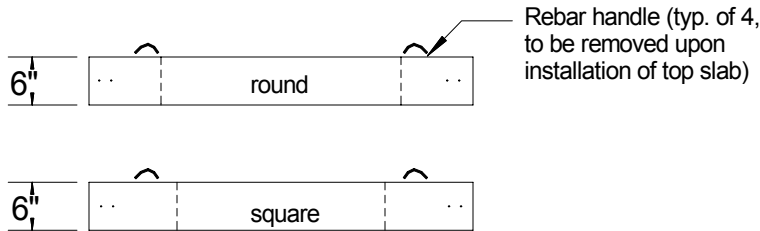
Isometric view - not to scale



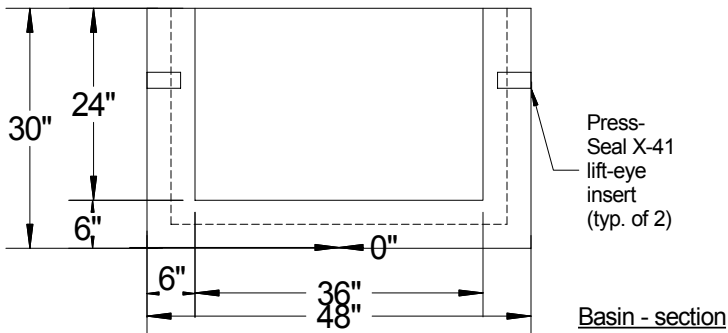
30" round



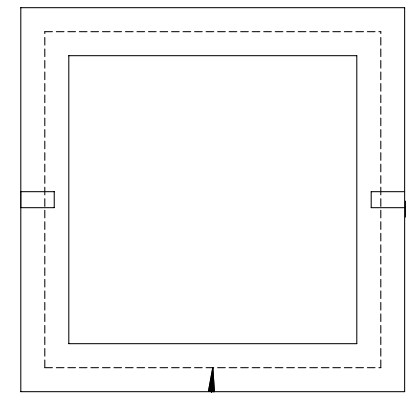
26" x 26"
Top slabs - top views



Top slabs - sections



Basin - section



4x4x4 ga. WWF
Basin - top view

36" x 36" x 24" I. D. catch basin

Model CB32

Concrete: 5000 PSI Min, 5-6% Air

Design Load: HS-20

Reinforced with 4x4x4 WWF to Equal 0.12 sq. in./V. F. in basin and #3 rebar in top slab

6" thick walls, floor, and top slab

Top slab available with either a 30" diameter round or 26" x 26" opening

Opening size, shape, and location as requested. Steps and boots are available upon request

Weights: See sheet titled "Catch basin weights and volumes"

www.concretebuildingsupply.com

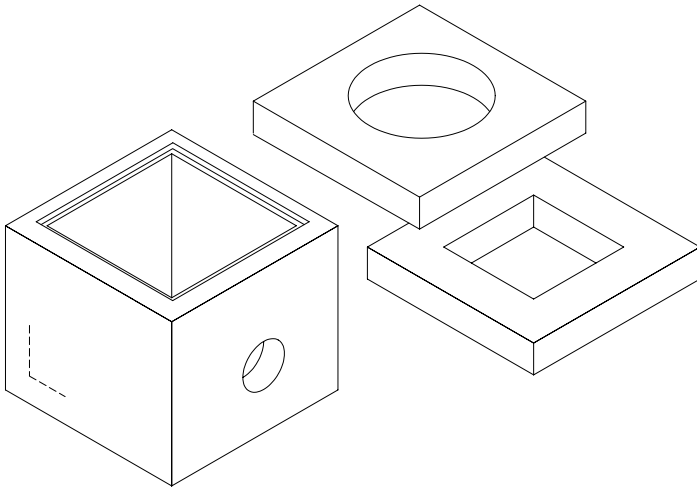
Concrete Building Supply Co.

Northeast Concrete Products, Inc.

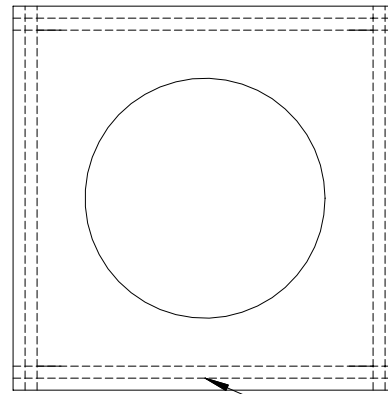
(P) (518) 563-0700 (F) (518) 563-1392 1024 Military Turnpike,
Plattsburgh, New York 12901

SCALE- 1/2" = 1'

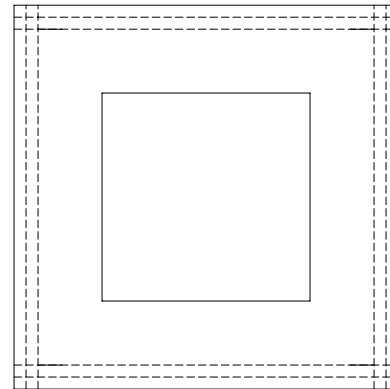
DRAWN BY- R. E. S.



Isometric views - not to scale

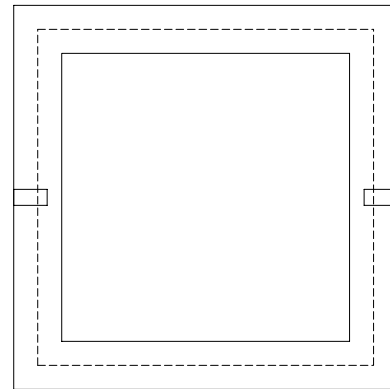


24" or 30" round #3 rebar (typ.)

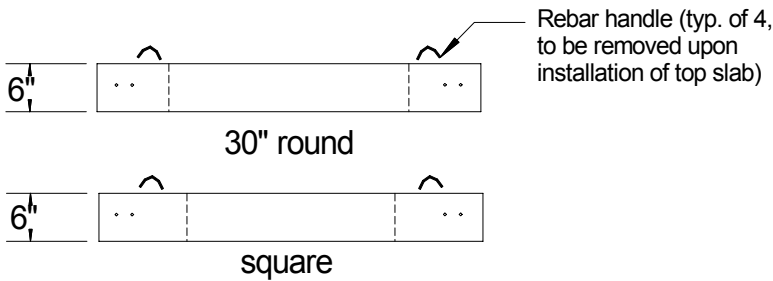


26" x 26"

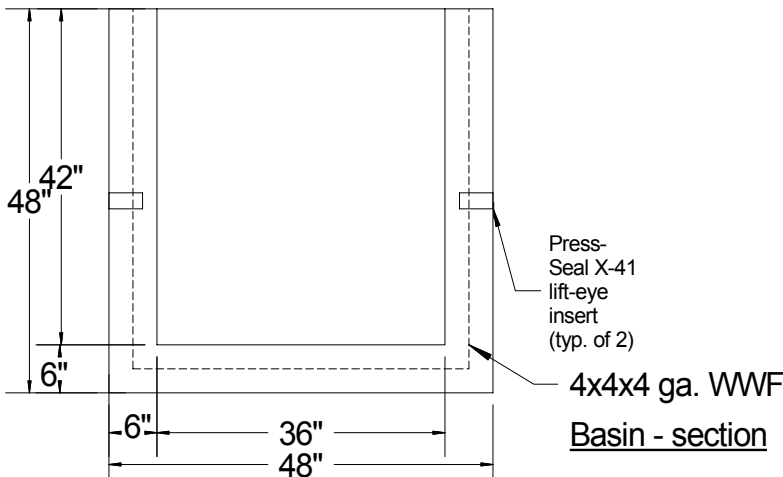
Top slabs - top views



Basin - top view



Top slabs - sections



Basin - section

36" x 36" x 36" I. D. catch basin

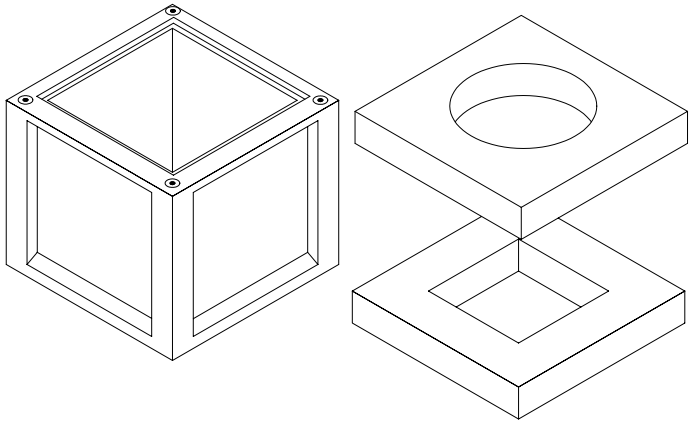
Model no. CB33
 Concrete: 5000 PSI Min, 5-6% Air
 Design Load: HS-20
 Reinforced with 4x4x4 WWF to Equal 0.12 sq. in./V. F. in basin and #3 rebar in top slab
 6" thick walls, floor, and top slab
 Top slab available with either a 30" diameter round or 26" x 26" opening
 Opening size, shape, and location as requested. Steps and boots are available upon request
 Weights: See sheet titled "Catch basin weights and volumes"

www.concretebuildingsupply.com

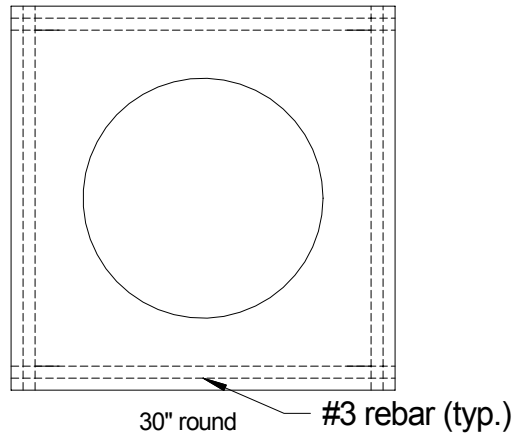
Concrete Building Supply Co.

Northeast Concrete Products, Inc.
 (P) (518) 563-0700 (F) (518) 563-1392 1024 Military Turnpike,
 Plattsburgh, New York 12901

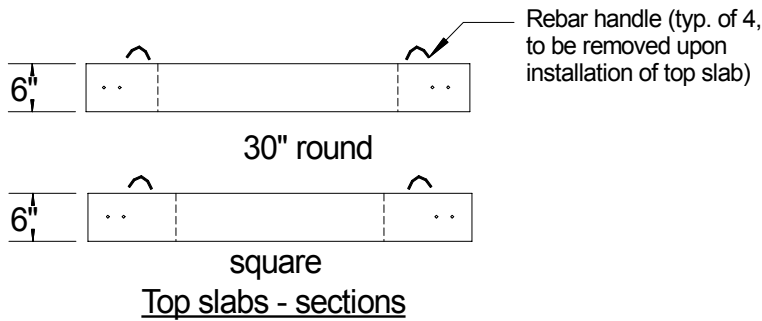
SCALE- 1/2" = 1' DRAWN BY- R. E. S.



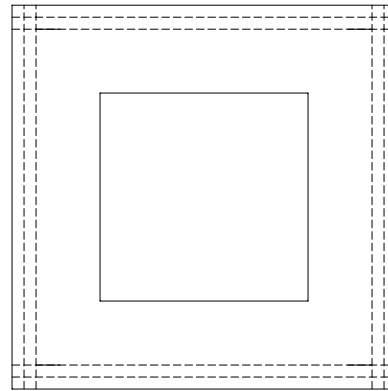
Isometric views - not to scale



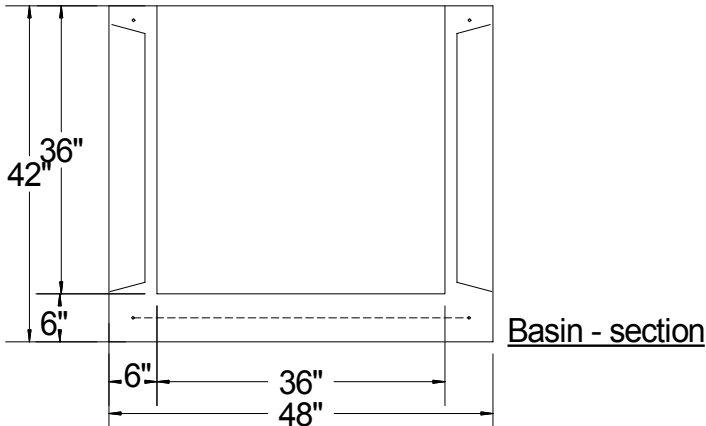
30" round #3 rebar (typ.)



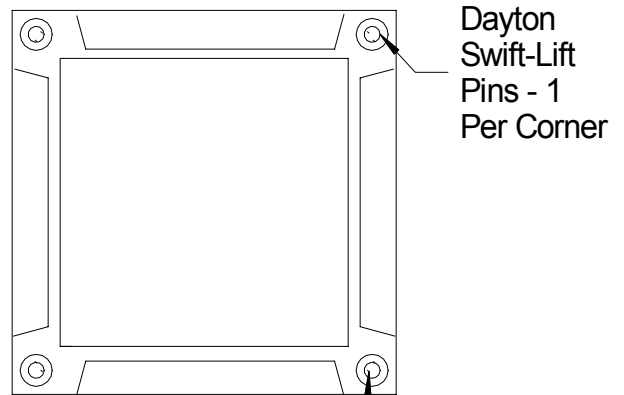
Top slabs - sections



26" x 26"
Top slabs - top views



Basin - section



Basin - top view

Dayton
Swift-Lift
Pins - 1
Per Corner

#3 rebar (typ.)

36" x 36" x 36" I. D. catch basin with knockouts

Model no. CB33

Concrete: 5000 PSI Min, 5-6% Air

Design Load: HS-20

Reinforced with #3 rebar See rebar design sheet for layout)

6" thick walls, floor, and top slab

Top slab available with either a 30" diameter round or a 26" x 26" opening

Opening size, shape, and location as requested. Steps and boots are available upon request

Weights: See sheet titled "Catch basin weights and volumes"

www.concretebuildingsupply.com

Concrete Building Supply Co.

Northeast Concrete Products, Inc.

(P) (518) 563-0700 (F) (518) 563-1392 1024 Military Turnpike,
Plattsburgh, New York 12901

SCALE- 1/2" = 1'

DRAWN BY- R. E. S.