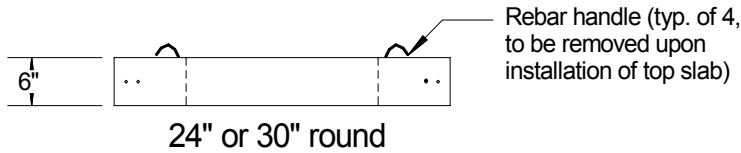
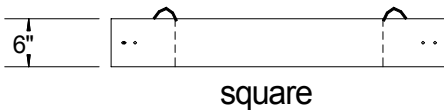


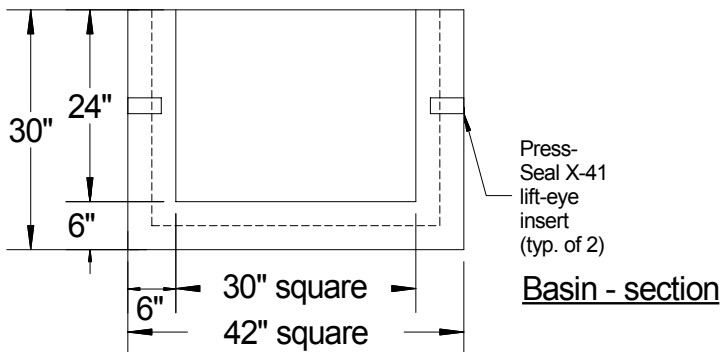
Isometric views - not to scale



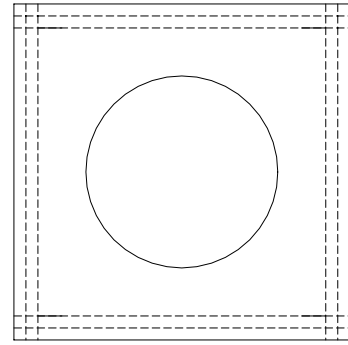
Rebar handle (typ. of 4, to be removed upon installation of top slab)



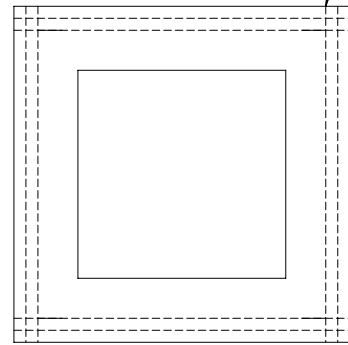
Top slabs - sections



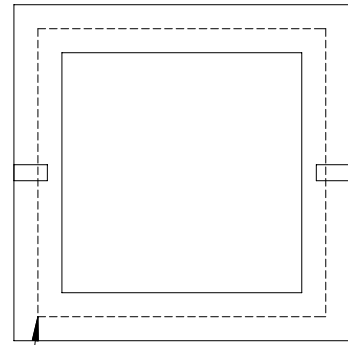
Basin - section



#3 rebar (typ.)



Top slabs - top views



Basin - top view

30" x 30" x 24" I. D. catch basin

Model CB302

Concrete: 5000 PSI Min, 5-6% Air

Design Load: HS-20

Reinforced with 4x4x4 WWF to Equal 0.12 sq. in./V. F. in basin and #3 rebar in top slab

6" thick walls, floor, and top slab

Top slab available with either a 24" or 30" diameter round opening or with a 26" x 26" opening or with no opening

Opening size, shape, and location as requested. Steps and boots are available upon request

Weights: See sheet titled "Catch basin weights and volumes"

www.concretebuildingsupply.com

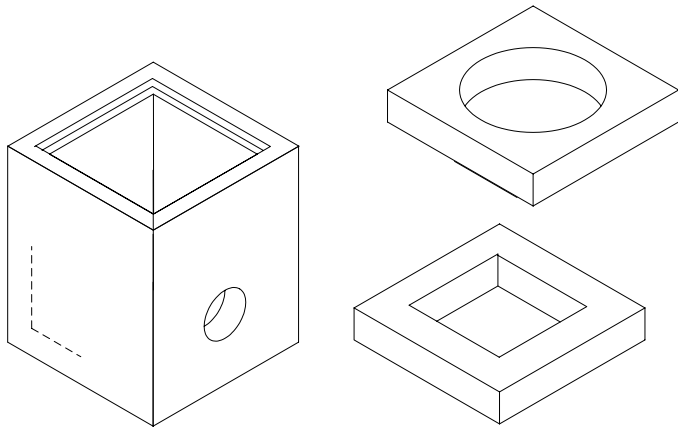
Concrete Building Supply Co.

Northeast Concrete Products, Inc.

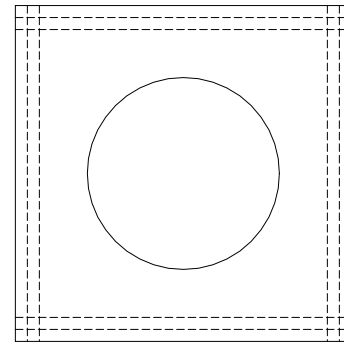
(P) (518) 563-0700 (F) (518) 563-1392 1024 Military Turnpike, Plattsburgh, New York 12901

SCALE- 1/2" = 1'

DRAWN BY- R. E. S.

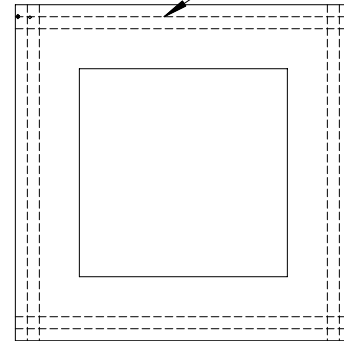


Isometric views - not to scale



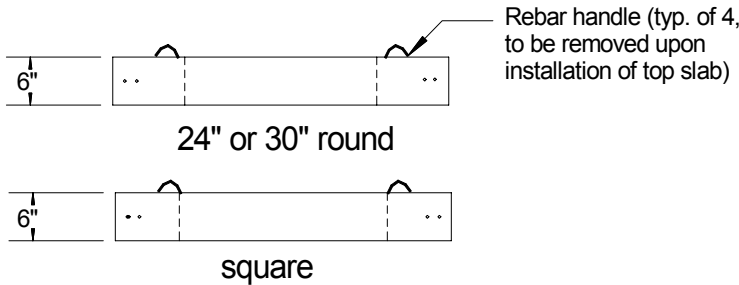
24" or 30" round

#3 rebar (typ.)



26" x 26"

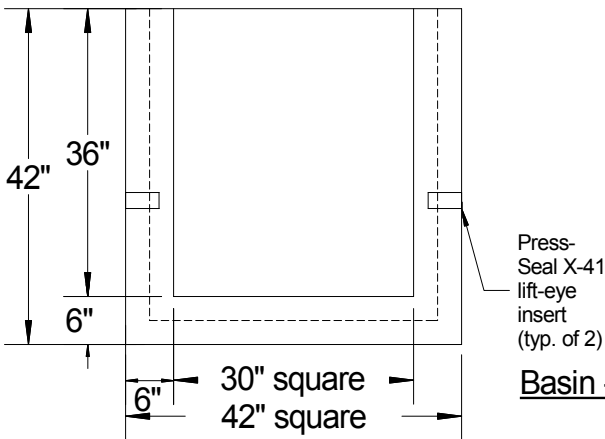
Top slabs - top views



24" or 30" round

square

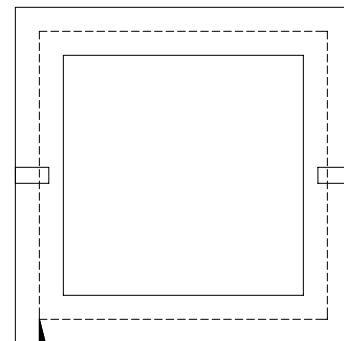
Top slabs - sections



Press-Seal X-41 lift-eye insert (typ. of 2)

Basin - section

30" square
42" square



4x4x4 ga. WWF

Basin - top view

30" x 30" x 36" I. D. catch basin

Model no. CB303

Concrete: 5000 PSI Min, 5-6% Air

Design Load: HS-20

Reinforced with 4x4x4 WWF to Equal 0.12 sq. in./V. F. in basin and #3 rebar in top slab

6" thick walls, floor, and top slab

Top slab available with either a 24" or 30" diameter round opening or with a 26" x 26" opening

Opening size, shape, and location as requested. Steps and boots are available upon request

Weights: See sheet titled "Catch basin weights and volumes"

www.concretebuildingsupply.com

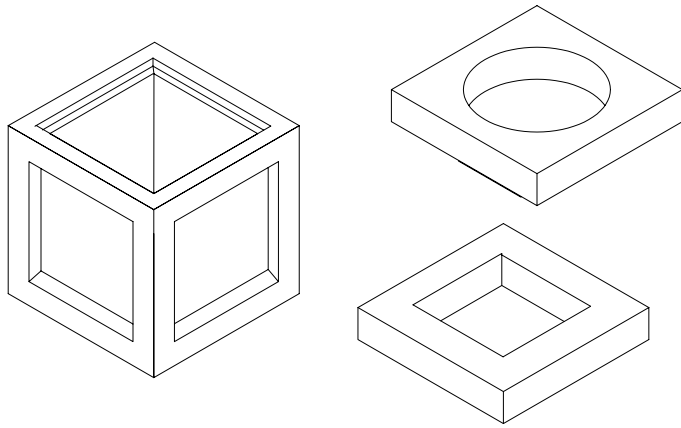
Concrete Building Supply Co.

Northeast Concrete Products, Inc.

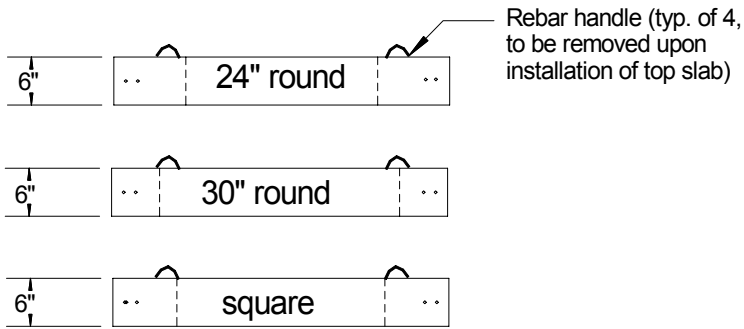
(P) (518) 563-0700 (F) (518) 563-1392 1024 Military Turnpike,
Plattsburgh, New York 12901

SCALE- 1/2" = 1'

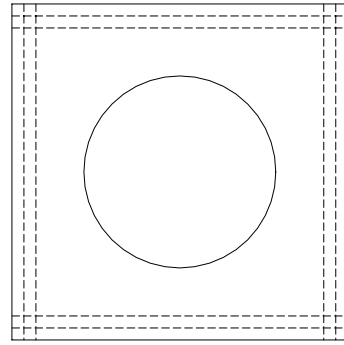
DRAWN BY- R. E. S.



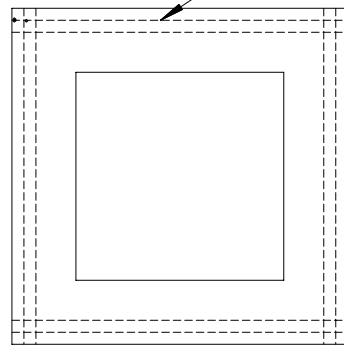
Isometric views - not to scale



Top slabs - sections

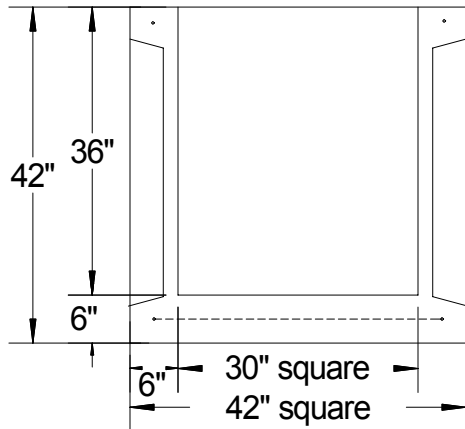


24" or 30" round
#3 rebar (typ.)

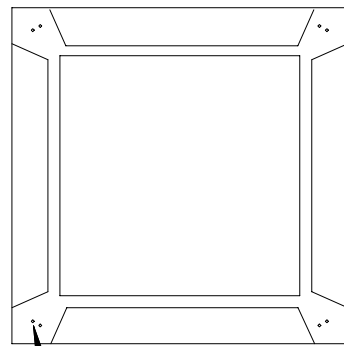


26" x 26"

Top slabs - top views



Basin - section



#3 Rebar (typ.)

30" x 30" x 36" I. D. catch basin with knockouts Basin - top view

Model no. CBK0303
 Concrete: 5000 PSI Min, 5-6% Air
 Design Load: HS-20
 Reinforced with #3 rebar (see rebar design sheet for layout)
 6" thick walls with one 30" x 36" x 4-1/2" knockout per side
 6" thick floor and top slab
 Cover available with either a 24" diameter round or 26" x 26" opening or with no opening
 Opening size, shape, and location as requested. Steps and boots are available upon request
 Weights: See sheet titled "Catch basin weights and volumes"

www.concretebuildingsupply.com

Concrete Building Supply Co.

Northeast Concrete Products, Inc.
 (P) (518) 563-0700 (F) (518) 563-1392 1024 Military Turnpike,
 Plattsburgh, New York 12901

SCALE- 1/2" = 1' DRAWN BY- R. E. S.